

REV TITAN

Flavor consistency
at high speed



Rev Titan Webpage

ceado.

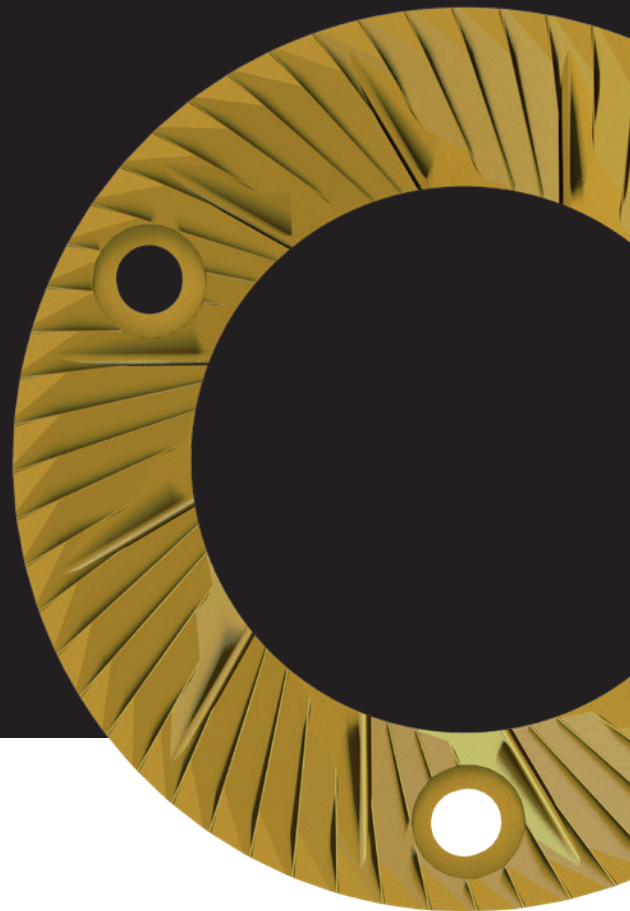
REVITAN

The ideal grinder for high-volume environments, enhancing body perception even in milk-based drinks.

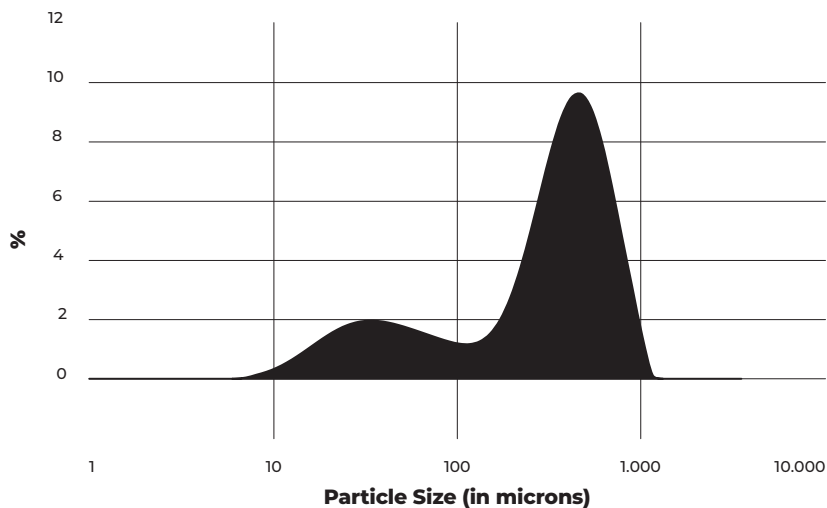
HPT83

High productivity 83 mm TIN coated burrs with lifespan of 2,5 tons

ceado. original burrs



REVITAN



WAM

Weight Adjustment Module

Consistent weight aids in building and monitoring flavour recipes. The Rev Series feature an **interchangeable weight module** that can be mounted in under two minutes, even post grinder installation.



WAM Module



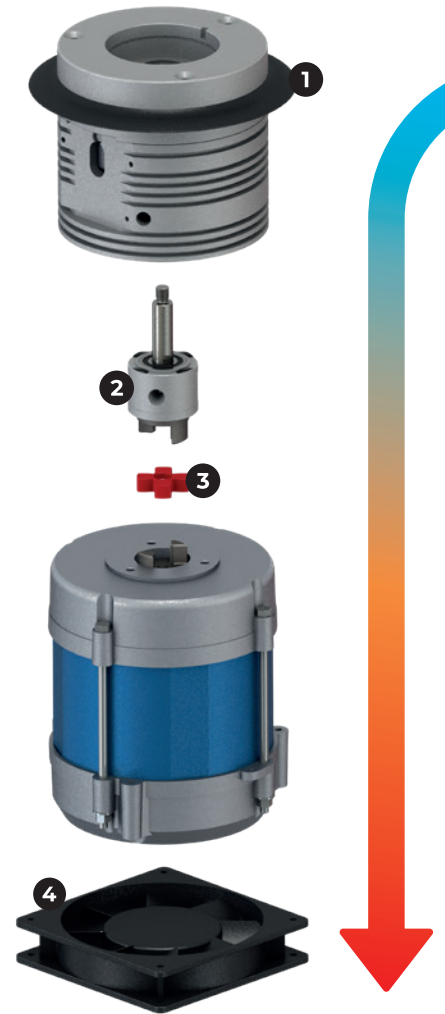
PFA Module

ceado.

Grounds Temperature Management

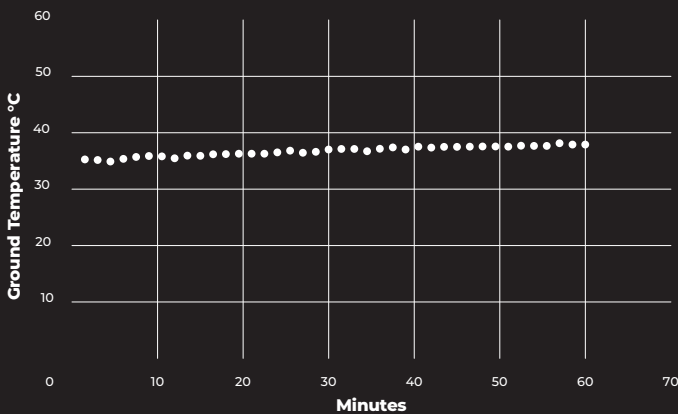
Stable and **low coffee grounds temperature** is key for consistent flavor extraction.

- 1 **2,5 kg heat sink** around the burrs to constantly remove large amounts of heat.
- 2 **Shaft** separates burrs from motor to prevent heat transmission.
- 3 **Insulation** to prevent heat transmission through the shaft.
- 4 **Active internal airflow management** to support temperature stability at any pace.



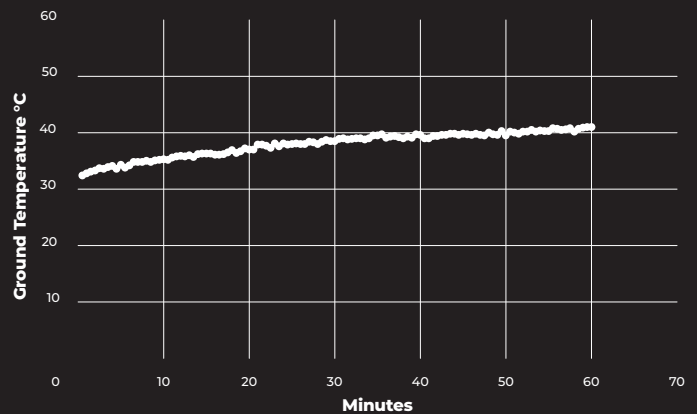
Peak Hour

REVTITAN 800 g - 40 Doses Per Hour



Stress Test

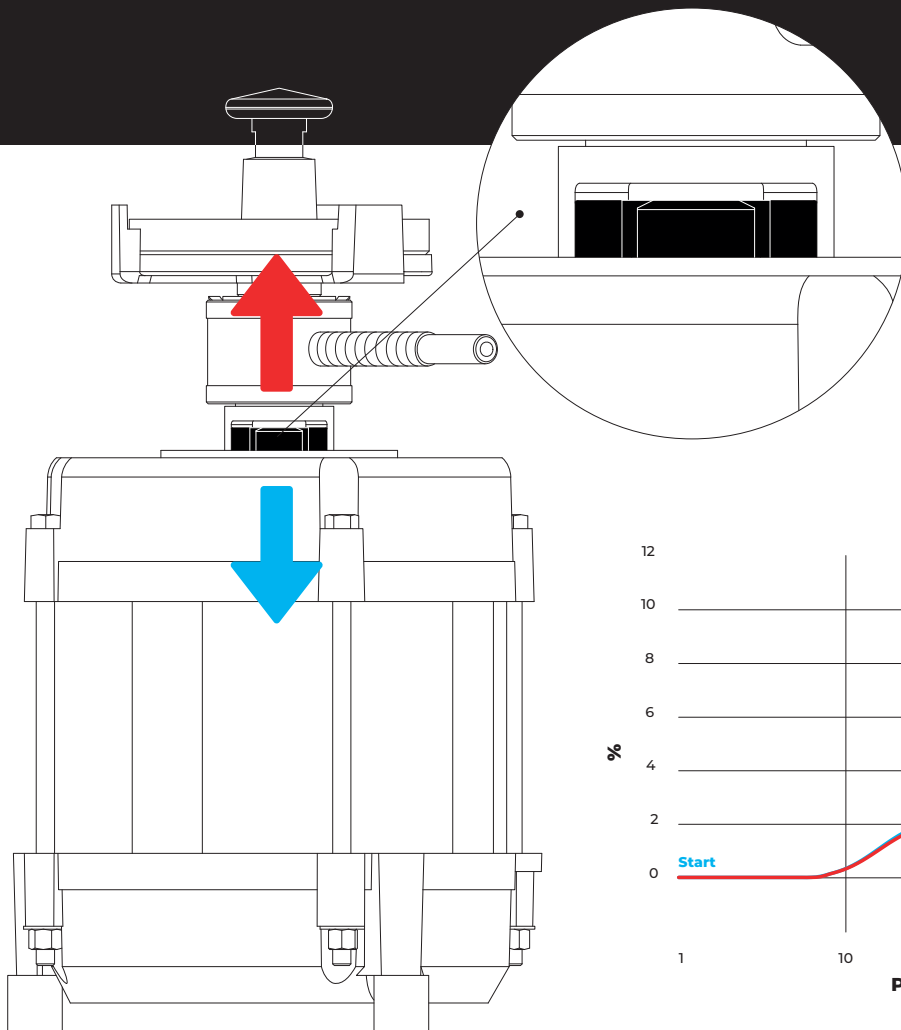
REVTITAN 2,4 kg - 120 Doses Per Hour



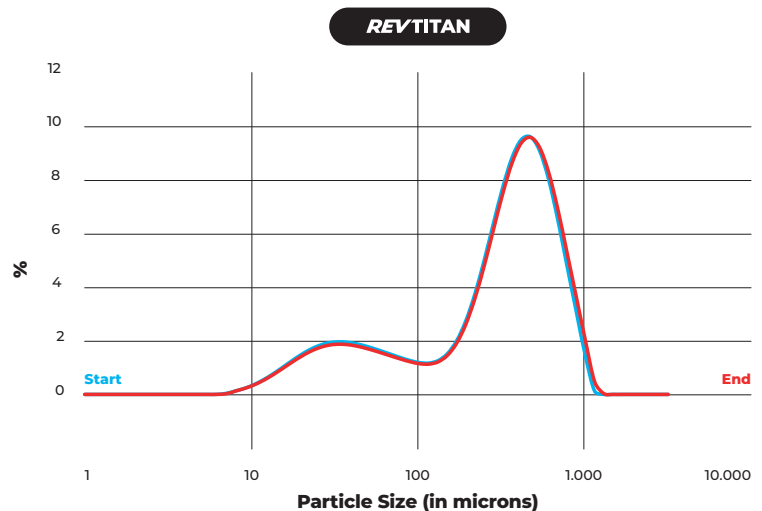


Steady Lock

The grinder features a counteracting system that **expands in the opposite direction** of the burrs, neutralizing the effect of heat expansion. This ensures a consistent particle size at any pace, preserving the same flavor profile.



Peak Hour
Granulometry Consistency



Noise Reduction



Grinder built to **prevent vibration transmission** and **noise emissions**.

- 1 **2,5 kg grind chamber** for higher noise insulation.
- 2 **Rubber rings** to reduce noise propagation.
- 3 **Motor separated from burrs** to prevent vibration transmission.
- 4 Motor mounted on **suspension system** reduces vibration emission.



Advanced Leveling Intelligent Grinding Nexus

Align

High-precision **stepless adjustment with display** for a digital, intuitive, and quick reading of the grind setting.



ceado.

Cleaning has never been easier.

Burrs are easy to clean and inspect as it takes only **3 screws** to remove the top of the grind chamber. No grind re-adjustment is needed after cleaning.



Removable Chute

It only takes **few seconds and a screwdriver** to loosen the safety screw and extract the chute along with the metal flap for cleaning. Putting it back is as easy: **four guides** quickly bring it back to the correct position with no chance of error.

Removable Air Filter

To prevent dust and dirt entering the inner parts of the grinder, an air filter is installed behind the air suction grid. A **cleaning reminder** periodically appears on display.



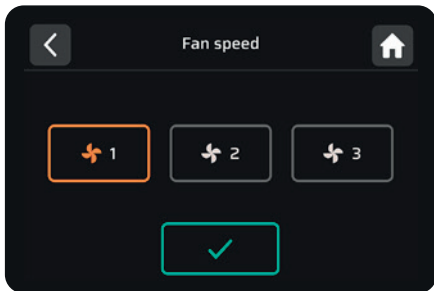
The user interface is designed to be state-of-the-art, ensuring **intuitive use** for all.

Scroll
Down Menu

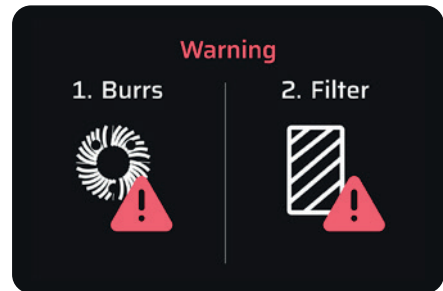


Customizable Dose Layout

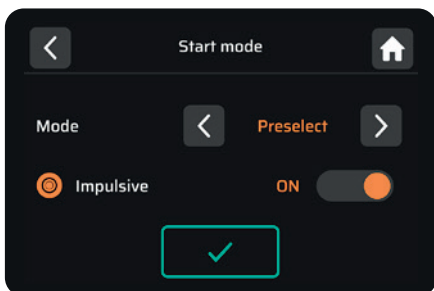
User Interface



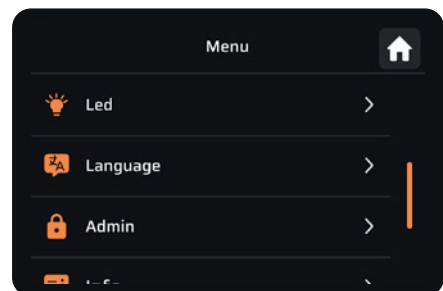
Programmable Air Flow



Maintenance Alerts

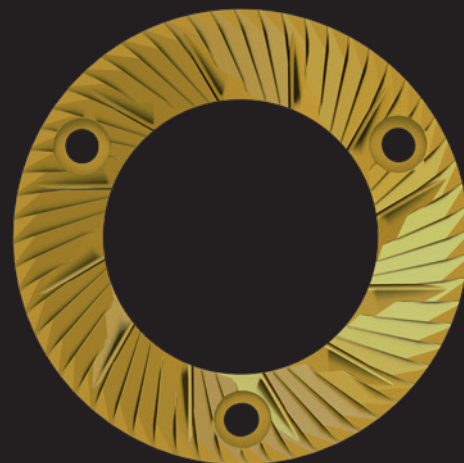


Five Grinding Activation Modes



General Settings

Ground temperature stability
Weight precision
Granulometry consistency
Same flavor at any pace.



© Ceado srl - all rights reserved - 02/2025

HPT83

ceado. original burrs

REV TITAN

Ø 83 HP Titanium flat burrs



Align



Steady Lock



Gtm



WAM

Technical data

Voltage - Power	220-240 V · 50-60 Hz / 740 W 110-120 V · 60 Hz / 6 A
Rpm 50 Hz / 60 Hz	1480 / 1700 rpm
Average Output (g/s)	5 (50 Hz) / 6 (60 Hz)
Net weight	17 kg
Gross weight	18,8 kg
Dimensions	200 x 270 x 630h mm
Burrs	HPT83 Ø 83 HP Titanium flat burrs*
Hopper	Approximately 1600 g
Dose setting	Digital with grind reference on display
Display	Multifunction Touch
Noise	67 dB



*NSF version uses Steel burrs.

Designing Flavor.

ceado.